

# Technical data sheet

## Product features



### Folding pan gas

<b>Model</b>	<b>SAP Code</b>	00019405
--------------	-----------------	----------



- Bottom material: Steel - suitable for frying
- Bottom thickness: 12.00
- Basin volume [l]: 50
- Usable volume [l]: 50
- Ignition: Piezo + Eternal Flame
- Tilting: Manual
- Filling: Mechanical cock
- Type of pan: Tilting
- Basin shape: Practically shaped bathtub spout to minimize spillage

<b>SAP Code</b>	00019405	<b>Type of gas</b>	Natural gas, propane butane
<b>Net Width [mm]</b>	800	<b>Bottom material</b>	Steel - suitable for frying
<b>Net Depth [mm]</b>	730	<b>Basin volume [l]</b>	50
<b>Net Height [mm]</b>	900	<b>Usable volume [l]</b>	50
<b>Net Weight [kg]</b>	146.40	<b>Tilting</b>	Manual
<b>Power gas [kW]</b>	12.000		

# Technical data sheet

Technical drawing

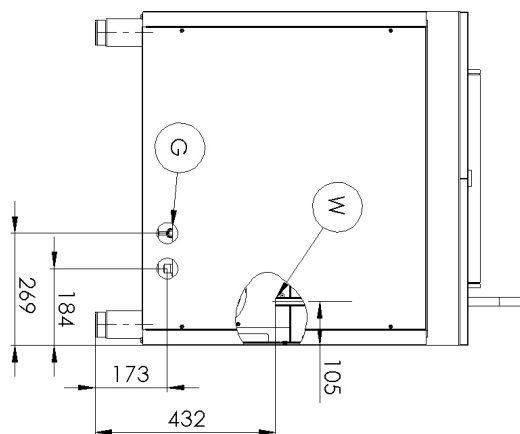
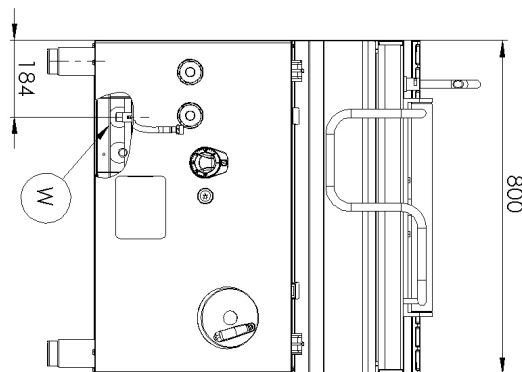
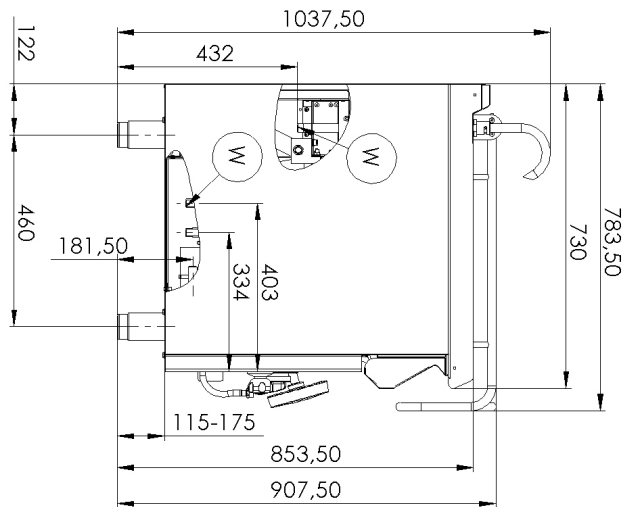


Folding pan gas

Model

SAP Code

00019405



# Technical data sheet

Technical parameters



## Folding pan gas

Model

SAP Code

00019405

**1. SAP Code:**

00019405

**2. Net Width [mm]:**

800

**3. Net Depth [mm]:**

730

**4. Net Height [mm]:**

900

**5. Net Weight [kg]:**

146.40

**6. Gross Width [mm]:**

840

**7. Gross depth [mm]:**

800

**8. Gross Height [mm]:**

1065

**9. Gross Weight [kg]:**

159.40

**10. Device type:**

Gas unit

**11. Construction type of device:**

Stationary

**12. Power gas [kW]:**

12.000

**13. Ignition:**

Piezo + Eternal Flame

**14. Type of gas:**

Natural gas, propane butane

**15. Device color:**

Stainless steel

**16. Material:**

AISI 304 top plate and cladding

**17. Worktop type:**

Molded - comfortable cleaning maintenance

**18. Worktop material:**

AISI 304

**19. Worktop Thickness [mm]:**

1.50

**20. Basin volume [l]:**

50

**21. Device capacity [l]:**

50.00

**22. Maximum device temperature [°C]:**

300

**23. Minimum device temperature [°C]:**

50

**24. Safety thermocouple:**

Yes

**25. Adjustable feet:**

Yes

**26. Tilting:**

Manual

**27. Bottom thickness:**

12.00

**28. Bottom material:**

Steel - suitable for frying

# Technical data sheet

Technical parameters



## Folding pan gas

**Model**

**SAP Code**

00019405

### 29. Type of pan:

Tilting

### 32. Basin shape:

Practically shaped bathtub spout to minimize spillage

### 30. Usable volume [l]:

50

### 33. Overflow:

Yes

### 31. Filling:

Mechanical cock